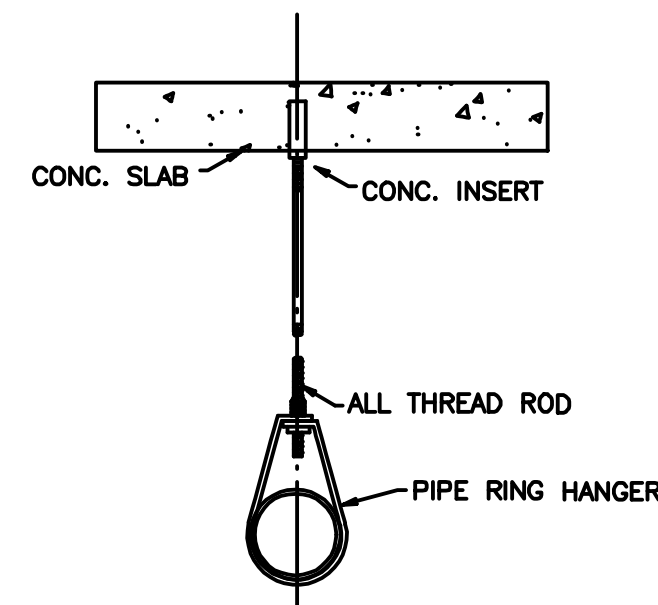


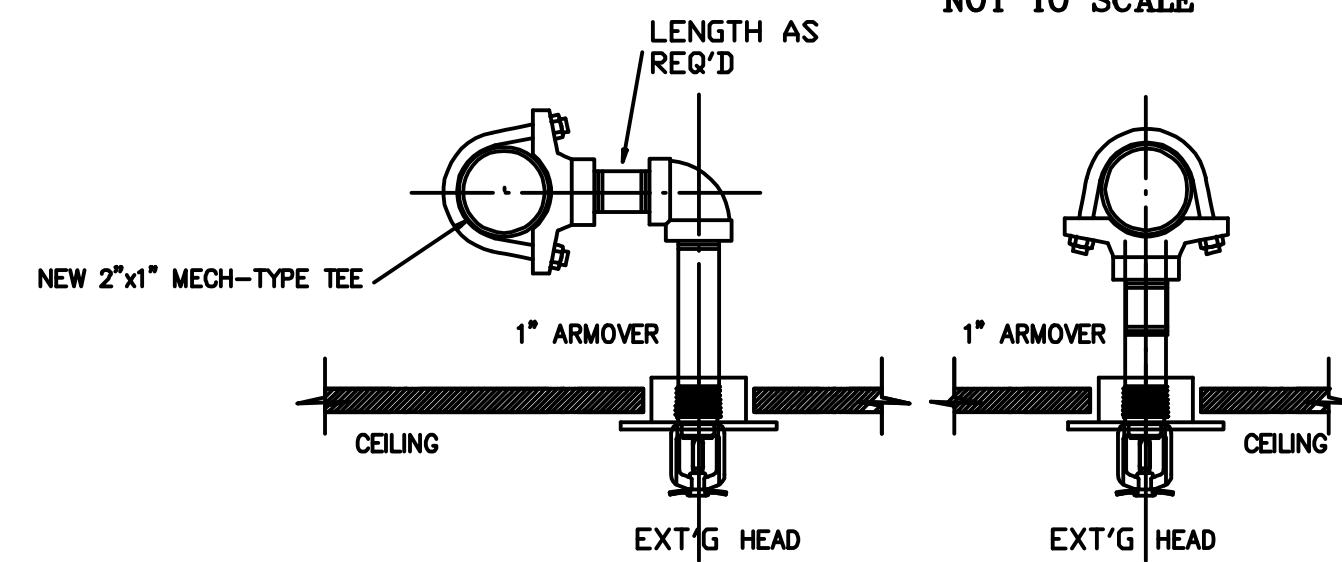
FIRE SPRINKLER SPECIFIC.

1. THE DRAWINGS ARE DIAGRAMMATIC AND REQUIRE COORDINATION WITH ARCHITECTURAL, AIR CONDITIONING AND ELECTRICAL PLANS.
2. THE CONTRACTOR SHALL SUBMIT SHOP DRAWINGS FOR THE ENGINEER'S REVIEW, FOR ALL SPECIFIED MATERIALS AND EQUIPMENT PRIOR TO ORDERING OR INSTALLATION.
3. THE CONTRACTOR SHALL GUARANTEE ALL WORK AND INSTALLED SPRINKLER SYSTEMS FOR A PERIOD OF ONE YEAR FROM DATE OF "CERTIFICATE OF OCCUPANCY".
4. THIS BUILDING IS DESIGNED PER NFPA 13, 14 AND 20.
5. ABOVE GROUND SPRINKLER PIPING SHALL BE:
 - SCHEDULE 40 FOR PIPE 1" THRU 2" DIA. W/ THREADED FITTINGS
 - SCHEDULE 10 FOR PIPE 2 1/2" DIA. AND LARGER W/ GROOVED FITTINGS.
6. DESIGN DENSITY, HEAD TEMPERATURE AND SPACE CLASSIFICATION SHALL BE AS NOTED ON THE PLANS.
7. ALL VALVES SHALL BE UL FM LISTED VALVES WITH TAMPER SWITCHES OS&Y CAST IRON BODY.
8. SPRINKLER PIPING SHALL BE PRESSURE TESTED AT 200 PSIG. FOR 2 HOURS.



PIPE HANGER DETAIL

NOT TO SCALE



ARMOVERS GREATER THAN 24" IN LENGTH SHALL BE SUPPORTED BY A HANGER.

ARM OVER DETAIL

NOT TO SCALE

SCOPE OF WORK

SCOPE OF WORK IS REPLACING AND RELOCATING 31 UPRIGHT SPRINKLER HEADS WITH HEADS, ADDING 3 AS SHOWN, 1 HEAD TO BE RELOCATED

--- DENOTES EXIST SPRINKLER PIPE TO REMAIN
 ——— DENOTES NEW SPRINKLER PIPE

E DENOTES EXT'G TURNED SPRINKLER HEAD (SEE ARM OVER DETAIL)
 N DENOTES EXT'G TURNED SPRINKLER HEAD (SEE ARM OVER DETAIL)

FIRE PROTECTION NOTES

1) CONTRACTOR'S RESPONSIBILITY:

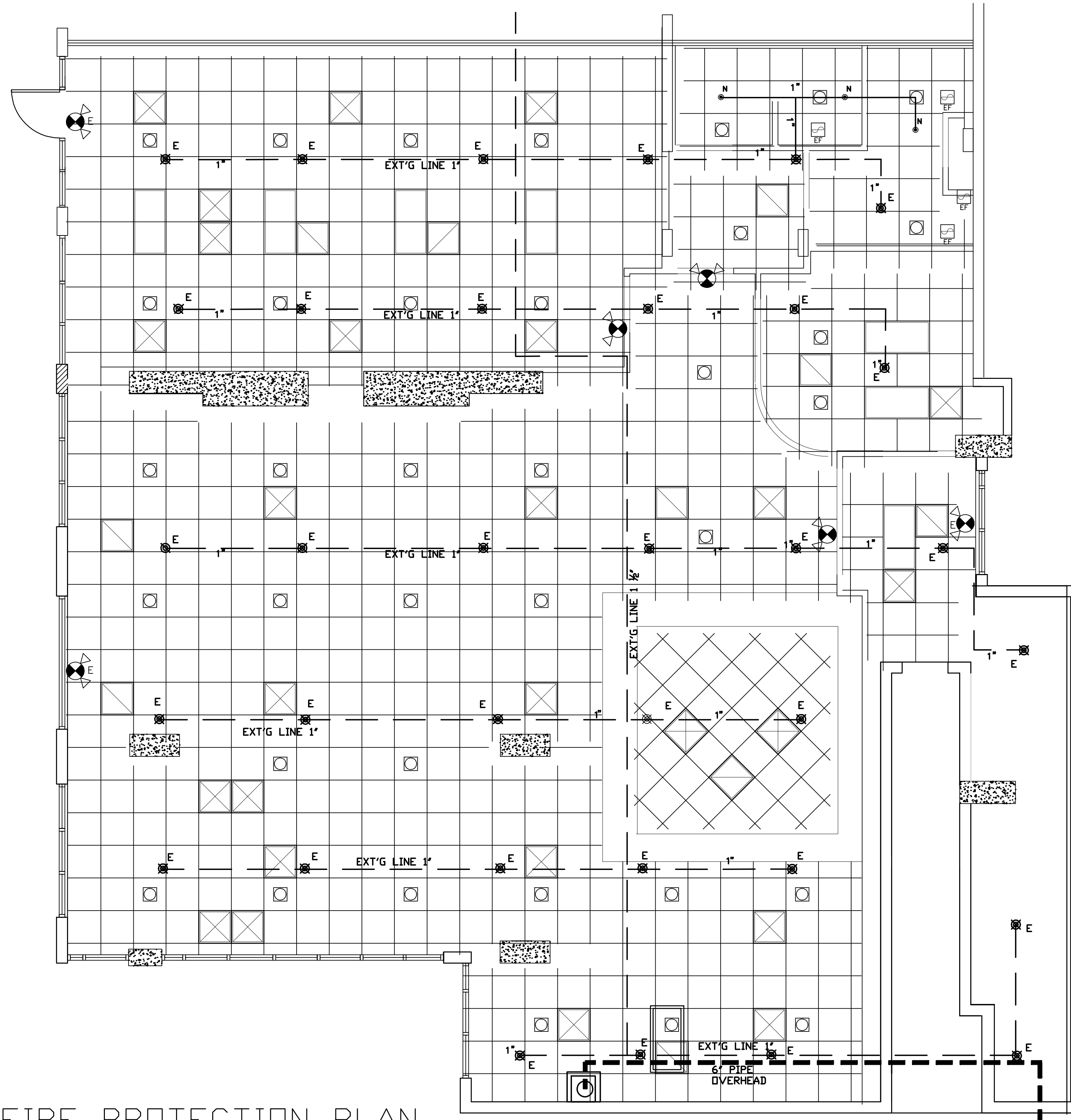
CONTRACTOR SHALL BE RESPONSIBLE FOR THE DESIGN AND CONSTRUCTION OF FIRE SPRINKLER SYSTEM.

2) COORDINATION:

WORK THESE DRAWINGS WITH ARCHITECTURAL, MECHANICAL, AND ELECTRICAL DRAWINGS FOR LOCATIONS OF EMBEDDED ITEMS.

3) SHOP DRAWINGS:

FIRE SPRINKLER SHOP DRAWINGS SHALL BE SUBMITTED FOR A/E REVIEW ONLY AFTER THEY HAVE BEEN THOROUGHLY REVIEWED BY THE CONTRACTOR FOR CONSTRUCTION METHODS, DIMENSIONS AND OTHER TRADE REQUIREMENTS. THEY MUST BE STAMPED WITH THE CONTRACTOR'S APPROVAL STAMP. THE A/E ASSUMES NO RESPONSIBILITY FOR DIMENSIONS, QUANTITIES, ERRORS OR OMISSIONS AS A RESULT OF REVIEWING ANY SHOP DRAWINGS.



FIRE PROTECTION PLAN

SCALE 1/4" = 1'-0"

MAXIMUM PIPE HANGER SPACING

	3/4"	1"	1 1/4"	1 1/2"	2"	2 1/2"	3"	4"	6"
THREADED LT. WALL STEEL	N/A	12'	12'	12'	12'	12'	N/A	N/A	N/A
STEEL PIPING	N/A	12'	12'	12'	12'	12'	12'	12'	12'

NOTE: STANDPIPES SHALL BE SUPPORTED AT EACH FLOOR USING RISER CLAMPS.

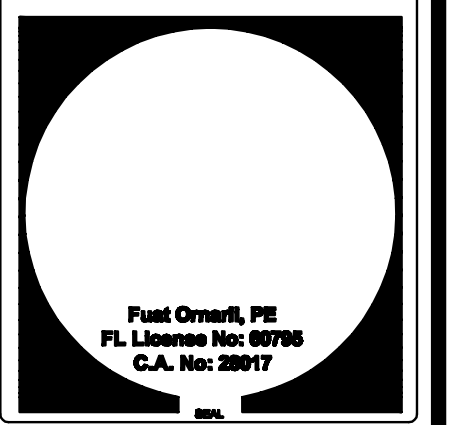
SPRINKLER LEGEND

SYM.	NAME	FINISH	TEMP	K	NPT	ORIFICE	MFG.	MODEL #	ESCH.
⊗	CONCEALED	WHITE	155	5.6	1/2"	1/2"	CENTRAL	RFI-QR	NONE
⊗	RECESSED	WHITE	155	5.6	1/2"	1/2"	CENTRAL	TY-FRB	WHITE
○	UPRIGHT	BRASS	155	5.6	1/2"	1/2"	CENTRAL	TY-FRB	NONE

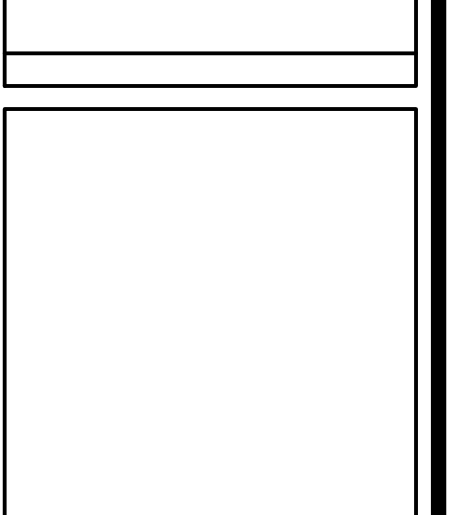
⊗ RECESSED SPRINKLER HEAD
 RELOCATE AND REPLACE UPRIGHT HEAD W/ CONCEALED HEAD

ALL HEADS SHALL BE QUICK RESPONSE TYPE

PSN CONSULTING, Inc.
 17670 NW 78th Ave. 207
 Palm Springs North, FL 33015
 Tel: (904) 668-4778
 Fax: (904) 668-4329
 e-mail: info@psnconsulting.com
 www.psnconsulting.com



Interior Improvement - Private Club



Interior Improvement - Private Club
 3020 NE 32 Ave. #123
 Ft. Lauderdale, FL 33308
 FTC Foundation
 17670 NW 78th Ave. 207
 Palm Springs North, FL 33015

REVISIONS:

NO.	DESCRIPTION

SHEET TITLE:

FIRE PROTECTION PLAN

DRAWN:

FO

CHECKED:

FO

DATE:

07.12.08

SCALE:

AS NOTED

JOB NO.:

08472

SHEET:

FP-1